

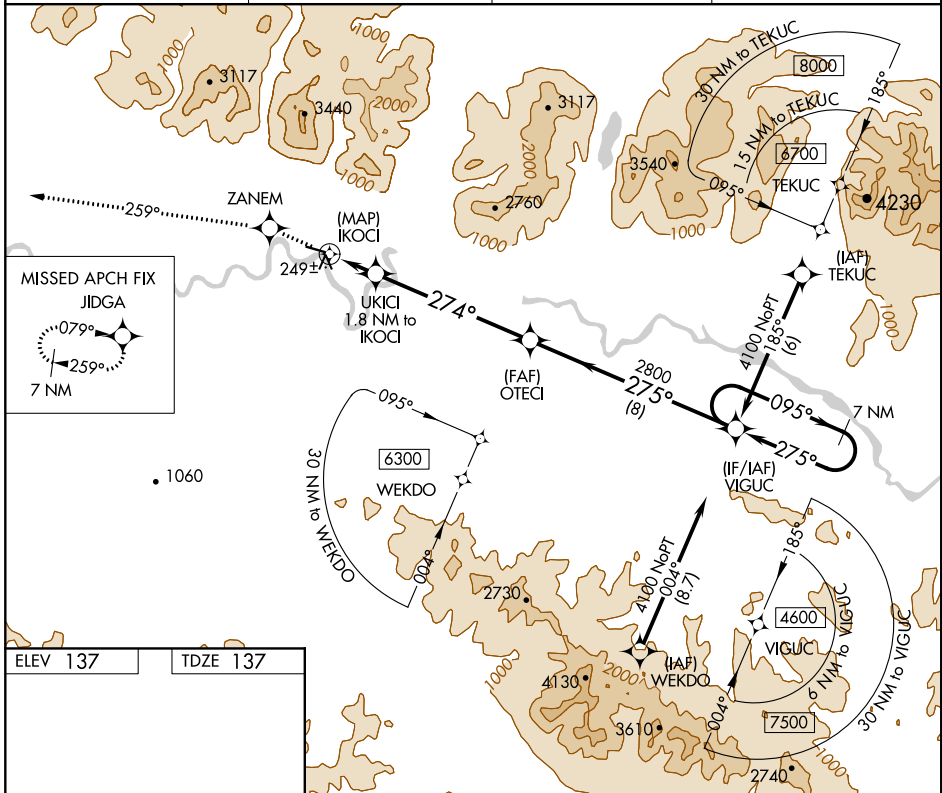
APP CRS	Rwy Idg	<b>4020</b>
<b>274°</b>	TDZE	<b>137</b>
	Apt Elev	<b>137</b>

# RNAV (GPS) RWY 27

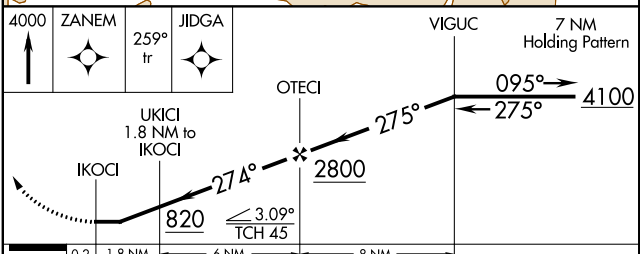
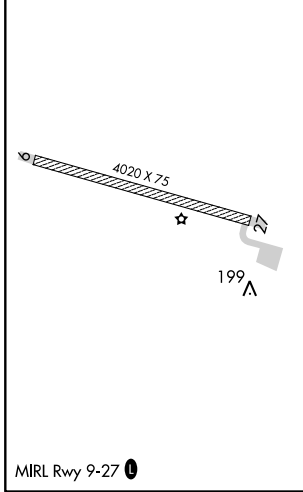
KOBUK (ÖBU) (PAÖB)

**▼** Use Ambler altimeter setting. Circling NA north of Rwy 9-27.  
**▲** NA DME/DME RNP-0.3 NA. Visibility reduction by helicopters NA. MISSED APPROACH: Climb to 4000 direct ZANEM and via 259° track to JIDGA and hold.

AFM/PAFM AWOS-3P <b>132.1</b>	ANCHORAGE CENTER <b>119.2 263.0</b>	KOTZEBUE RADIO <b>122.0</b>	CTAF <b>122.7</b>
----------------------------------	--	--------------------------------	----------------------



ELEV 137	TDZE 137
----------	----------



CATEGORY	A	B	C	D
LNAV MDA	640-1	503 (600-1)	640-1½	503 (600-1½)
CIRCLING	700-1	563 (600-1)	700-1½	740-2 603 (700-2)

AK, 25 FEB 2021 to 22 APR 2021

AK, 25 FEB 2021 to 22 APR 2021