

VOR/DME BSV 112.4 Chan 71	APP CRS 182°	Rwy Idg TDZE Apt Elev	N/A N/A 894
---	------------------------	-----------------------------	--

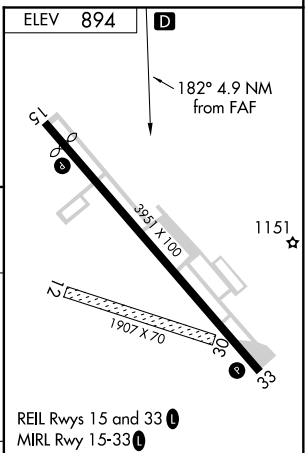
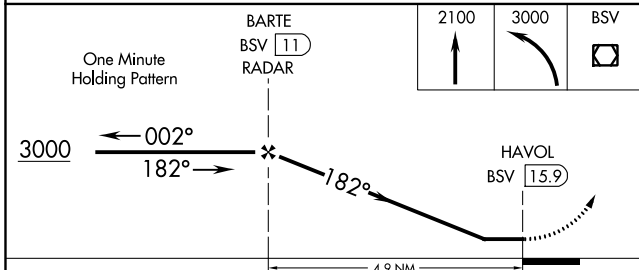
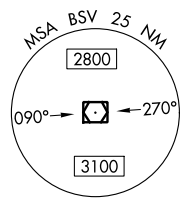
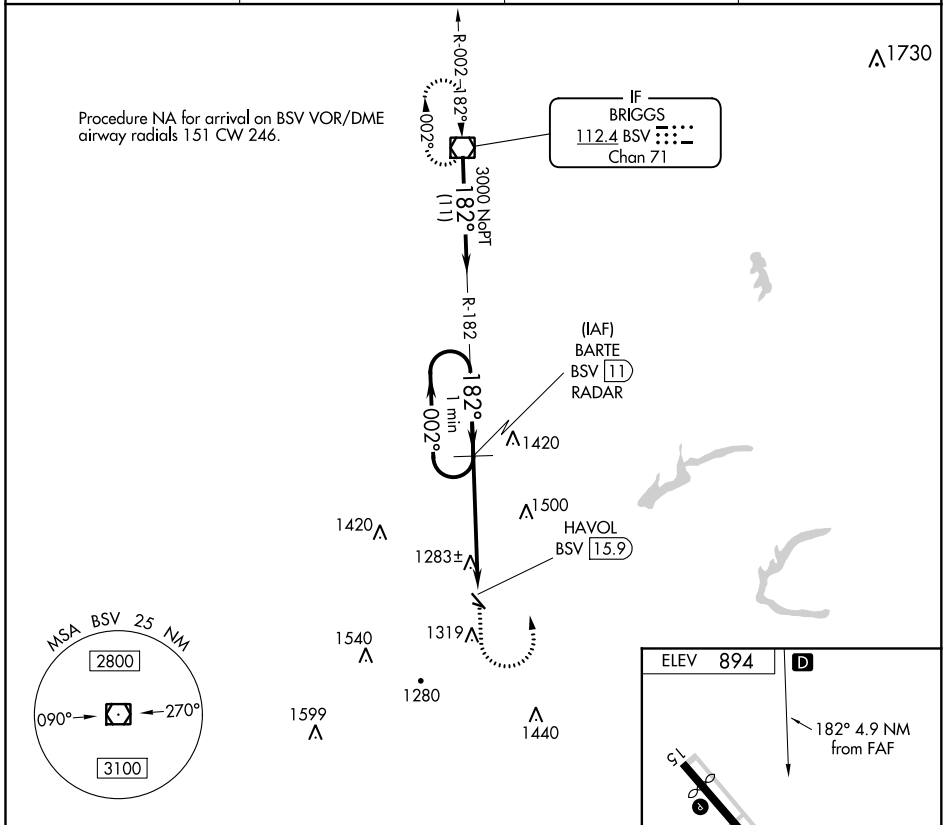
VOR-A
HARRY CLEVER FIELD (PHD)

DME or RADAR required.

⚠ Circling NA to Rwys 12 and 30. Rwy 15, 33 helicopter visibility reduction below 1 SM
⚠ NA. Procedure NA at night.

MISSED APPROACH: Climb to 2100 then climbing left turn to 3000 direct BSV VOR/DME and hold.

ASOS 121.425	CLEVELAND APP CON* 125.5 371.875	UNICOM 122.8 (CTAF)	123.3 0
------------------------	--	-------------------------------	-----------------------



CATEGORY	A	B	C	D	FAF to MAP 4.9 NM						
C CIRCLING	1720-1¼	826 (900-1¼)	1720-2½	826 (900-2½)	NA	Knots	60	90	120	150	180
						Min:Sec	4:54	3:16	2:27	1:58	1:38

EC-2, 25 FEB 2021 to 25 MAR 2021

EC-2, 25 FEB 2021 to 25 MAR 2021