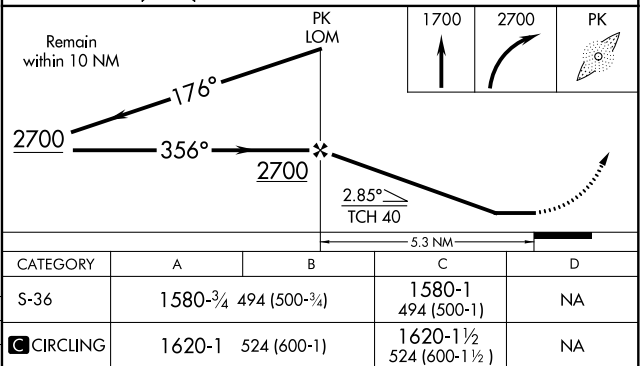
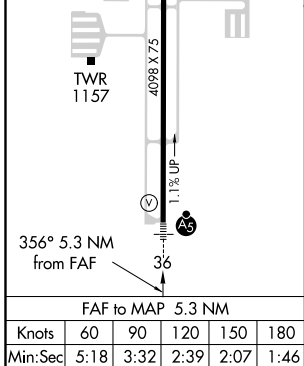
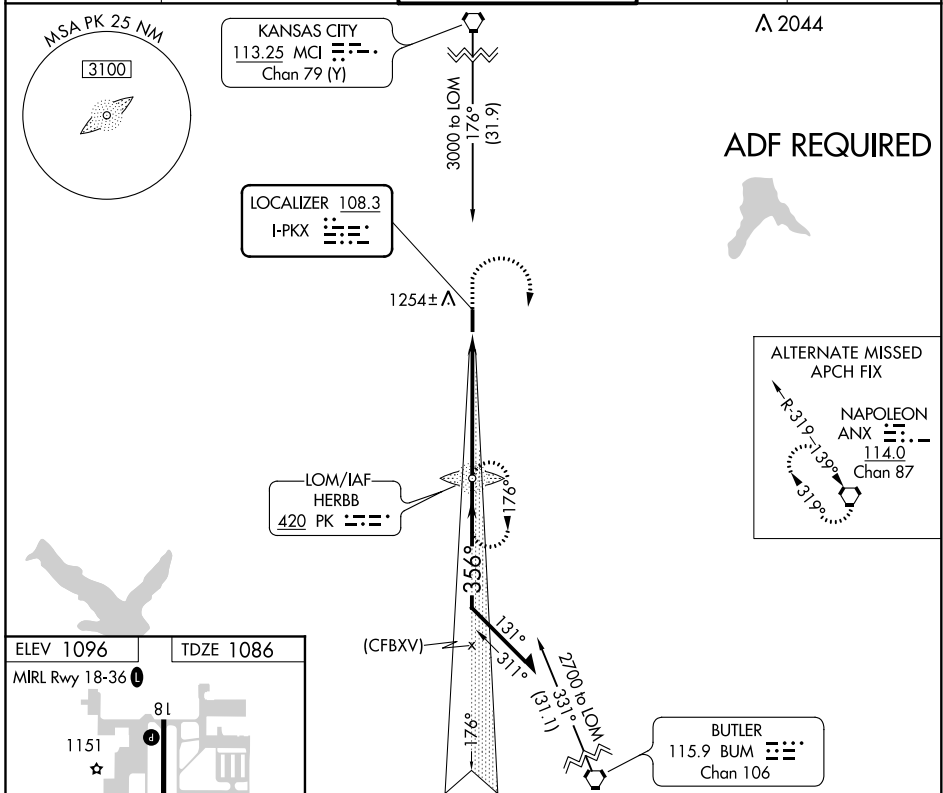


LOC I-PKX 108.3	APP CRS 356°	Rwy ldg 4098
		TDZE 1086
		Apt Elev 1096

LOC RWY 36
JOHNSON COUNTY EXECUTIVE (OJC)

NA	Helicopter visibility reduction below 3/4 SM not authorized. For inoperative MALSRs, increase S-36 Cats A and B visibility 1/4 mile.	MALSR A5	MISSED APPROACH: Climb to 1700 then climbing right turn to 2700 direct HERBB LOM and hold.
-----------	--	--------------------	--

ATIS 119.35	KANSAS CITY APP CON 118.9 251.075	EXECUTIVE TOWER* 126.0 (CTAF) 225.4	GND CON 121.6	UNICOM 122.95
-----------------------	---	---	-------------------------	-------------------------



NC-2, 25 FEB 2021 to 25 MAR 2021

NC-2, 25 FEB 2021 to 25 MAR 2021