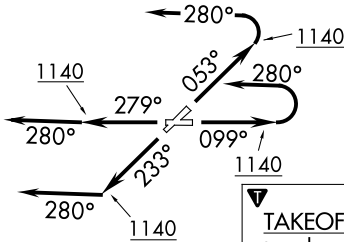


# GTLKE FOUR DEPARTURE (RNAV)

**TOP ALTITUDE:  
ASSIGNED BY ATC**

AWOS-3PT  
119.225  
CTAF  
122.725  
CLEVELAND DEP CON  
125.35 346.325



### DEPARTURE ROUTE DESCRIPTION

**TAKEOFF RUNWAY 5:** Climb on heading 053° to 1140, then left turn heading 280° or as assigned by ATC for RADAR vectors to cross AYYLE at or above 9000, thence....

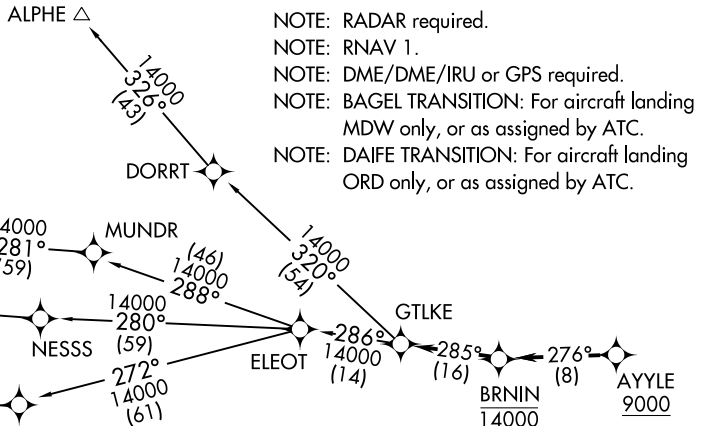
**TAKEOFF RUNWAY 10:** Climb on heading 099° to 1140, then left turn heading 280° or as assigned by ATC for RADAR vectors to cross AYYLE at or above 9000, thence....

**TAKEOFF RUNWAY 23:** Climb on heading 233° to 1140, then on heading 280° or as assigned by ATC for RADAR vectors to cross AYYLE at or above 9000, thence....

**TAKEOFF RUNWAY 28:** Climb on heading 279° to 1140, then on heading 280° or as assigned by ATC for RADAR vectors to cross AYYLE at or above 9000, thence....

....on track 276° to cross BRNNIN at or below 14000, then on track 285° to GTLKE then on (transition). Maintain ATC assigned altitude, expect filed altitude ten minutes after departure.

- ALPHE TRANSITION (GTLKE4.ALPHE)
- BAGEL TRANSITION (GTLKE4.BAGEL)
- DAIFE TRANSITION (GTLKE4.DAIFE)
- YABRO TRANSITION (GTLKE4.YABRO)



- NOTE: RADAR required.
- NOTE: RNAV 1.
- NOTE: DME/DME/IRU or GPS required.
- NOTE: BAGEL TRANSITION: For aircraft landing MDW only, or as assigned by ATC.
- NOTE: DAIFE TRANSITION: For aircraft landing ORD only, or as assigned by ATC.

**TAKEOFF MINIMUMS:**  
Rwys 5, 10, 23, 28: Standard with a minimum climb of 500' per NM to 1140.

NOTE: Chart not to scale.

EC-2, 25 FEB 2021 to 25 MAR 2021

EC-2, 25 FEB 2021 to 25 MAR 2021