

HI-ILS Y or LOC Y RWY 22

LOC I-FNF 110.1	APCH CRS 219°	Rwy ldg TDZE Arprt Elev 8001 31 33
---------------------------	-------------------------	--

JAL-197 [USAF]

HOUSTON/ELLINGTON (KEFD)

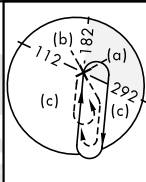
✦ *When ALS inop, increase CAT E RVR to 40.
******When ALS inop, increase CAT E vis to 1/2 mile.



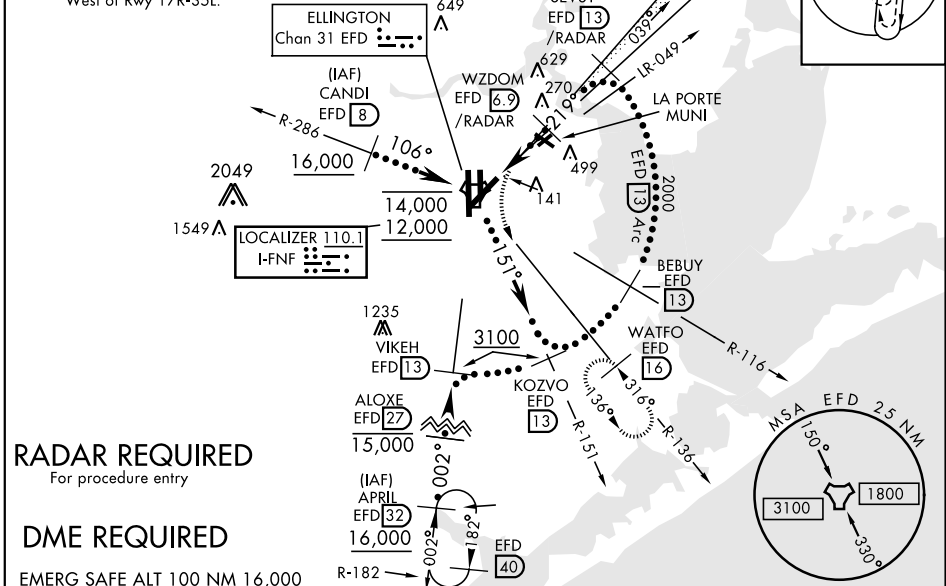
MISSED APPROACH: Climb to 700 then climbing left turn to 3100 on EFD TACAN R-136 to WATFO/EFD 16 DME and hold.

ATIS 135.575 269.9	HOUSTON APP CON 134.45 284.0	ELLINGTON TOWER 126.05 253.5	GND CON 121.6 275.8
------------------------------	--	--	-------------------------------

EFD TACAN	N29°36.36' W95°09.58'
CANDI	N29°39.24' W95°18.17'
APRIL	N29°04.53' W95°14.05'
WATFO	N29°23.90' W94°58.07'



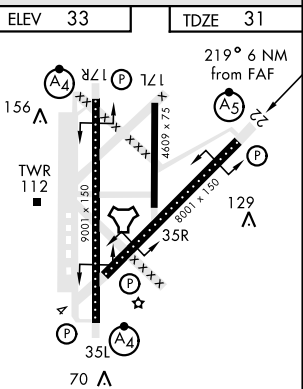
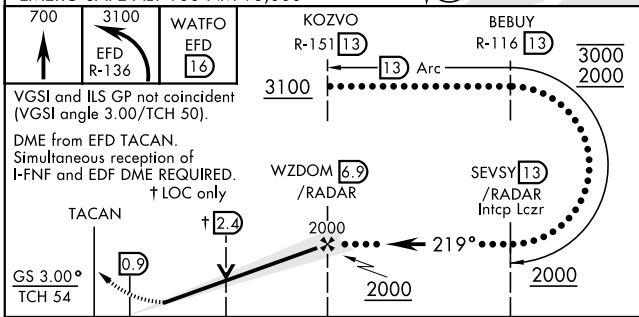
***** Circling not authorized**
 West of Rwy 17R-35L.



RADAR REQUIRED
 For procedure entry

DME REQUIRED

EMERG SAFE ALT 100 NM 16,000



CATEGORY	C	D	E
S-ILS 22 *	231/24	200	(200-1/2)
S-LOC 22 **	560/55	529	(600-1)
CIRCLING ***	580-1 1/2 547 (600-1 1/2)	640-2 607 (700-2)	700-2 1/4 667 (700-2 1/4)

HIRL Rwy 4-22 and 17R-35L
 TDZL/CL Rwy 17R, 22 and 35L

HI-ILS Y or LOC Y RWY 22

SC-5, 25 FEB 2021 to 25 MAR 2021

SC-5, 25 FEB 2021 to 25 MAR 2021